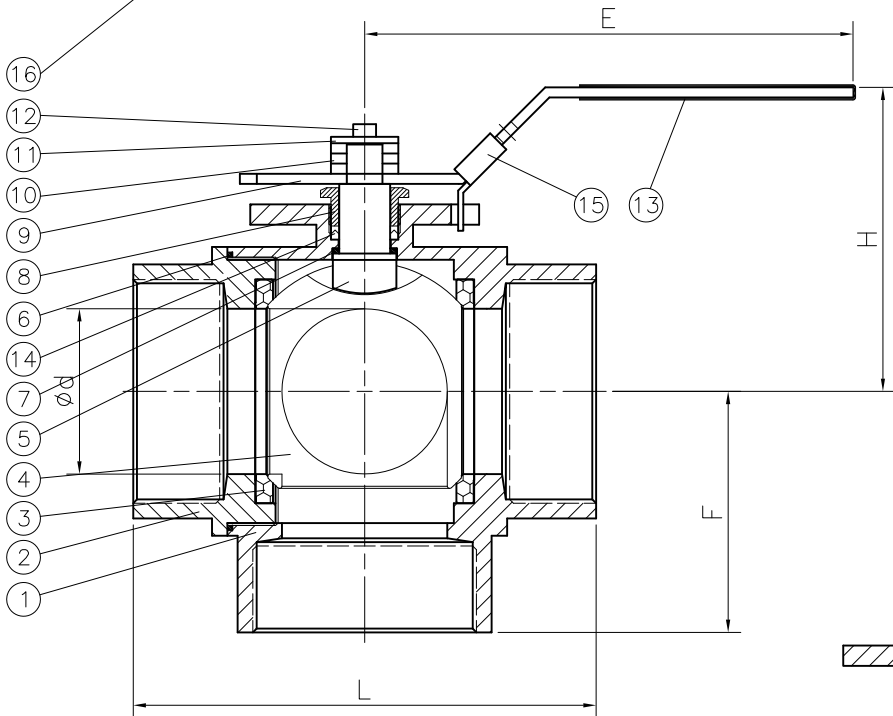
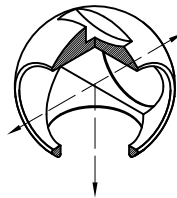


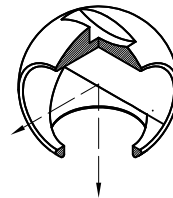
SIZE	d	A	B	C	D	E	H	F	L	M	N
1/4"	11.0	10.9	5.9	12.0	9.0	133.4	60.75	29.0	57.2	36	M5*0.8
3/8"	11.0	10.9	5.9	12.0	9.0	133.4	60.75	29.0	57.2	36	M5*0.8
1/2"	12.5	10.9	5.9	12.0	9.0	133.4	60.75	34.5	66.0	36	M5*0.8
3/4"	16.0	11.4	6.4	12.0	9.0	133.4	69.65	39.7	77.0	36	M5*0.8
1"	20.0	11.4	6.4	12.0	9.0	133.4	73.15	46.0	88.5	42	M5*0.8
1-1/4"	25.4	23.7	8.2	15.0	11.0	178.5	88.2	51.7	103.4	50	M6*1.0
1-1/2"	31.8	23.7	8.2	15.0	11.0	178.5	93.2	61.0	111.1	50	M6*1.0
2"	38.1	23.7	8.2	15.0	11.0	178.5	97.7	71.4	136.4	50	M6*1.0
3"	65.0	23.5	8.0	20.0	14.0	265.5	124.25	94.75	182.0	70.0	M8*1.25



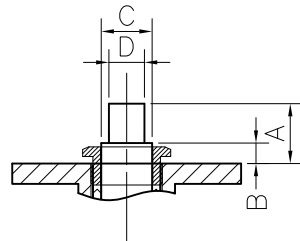
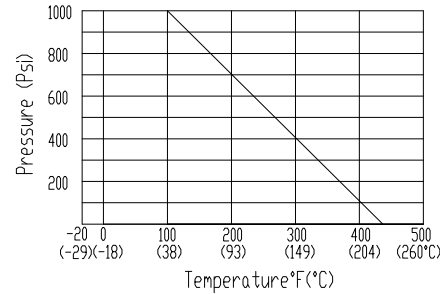
T BALL:



L BALL:



PRESSURE TEMPERATURE RATINGS



16	STOP PIN	S.S 304
15	LOCKING PLATE	S.S 304
14	STEM PACKINGS	PTFE
13	HANDLE SLEEVE	VINYL GRIP
12	HANDLE NUT	S.S 304
11	WASHER	S.S 304
10	HANDLE WASHER	S.S 304
9	HANDLE	S.S 304
8	GLAND	S.S 304
7	THRUST WASHR	PTFE
6	END SEALS	PTFE
5	STEM	S.S 316
4	BALL	ASTM A351 GR.CF8M
3	SEAT	PTFE
2	CAP	ASTM A351 GR.CF8M
1	BODY	ASTM A351 GR.CF8M
NO	PART	MATERIAL

PORT TYPE	1	2	3	4
L3	1 ⊕ 2	1 ⊕ 2	1 ⊕ 2	1 ⊕ 2
L2	1 ⊕ 2	1 ⊕ 2	1 ⊕ 2	1 ⊕ 2

PORT TYPE	1	2	3	4
T3	1 ⊕ 2	1 ⊕ 2		
T4	1 ⊕ 2	1 ⊕ 2	1 ⊕ 2	1 ⊕ 2

REV	DATE	DESCRIPTION	CODE	REVISOR	REMARKS	MATERIAL	APPROVE	CHECK	SCALE	UNIT	DATE	Q'TY	TITLE
						1/4" R~3" R 1000 PSI			free	mm	2015.01.08	1	3 WAY DIVERTER BALL VALVE
						A3			AF-S2T				
									AF-S2T				

**AE** Anson Flow Corp.