

DIMENSIONS

Unit : Inch

Valve Size	A	B	C	D	E	F	H	H1	H2	L	W	S	T	Q	φM-N
1/2"	0.591	1.380	2.380	3.500	5.150	0.060	2.587	0.894	0.492	4.252	0.433	1.654	0.440	1/4"-20	φ0.620-4
3/4"	0.787	1.690	2.750	3.880	5.150	0.060	2.685	0.886	0.492	4.606	0.433	1.654	0.440	1/4"-20	φ0.620-4
1"	0.984	2.000	3.120	4.250	6.496	0.060	3.173	1.154	0.610	5.000	0.551	1.969	0.440	1/4"-20	φ0.620-4
1-1/4"	1.260	2.500	3.500	4.620	6.496	0.060	3.406	1.154	0.610	5.512	0.551	1.969	0.500	1/4"-20	φ0.620-4
1-1/2"	1.496	2.880	3.880	5.000	7.953	0.060	4.287	1.512	0.846	6.496	0.669	2.756	0.560	5/16"-18	φ0.620-4
2"	1.969	3.620	4.750	6.000	7.953	0.060	4.587	1.512	0.846	7.008	0.669	2.756	0.620	5/16"-18	φ0.750-4
2-1/2"	2.480	4.120	5.500	7.000	7.953	0.060	5.472	1.512	0.846	7.480	0.669	2.756	0.690	5/16"-18	φ0.750-4
3"	3.150	5.000	6.000	7.500	12.933	0.060	6.669	2.295	1.240	7.992	0.866	4.016	0.750	3/8"-16	φ0.750-4
4"	3.858	6.190	7.500	9.000	12.933	0.060	7.610	2.374	1.303	9.016	0.866	4.016	0.940	3/8"-16	φ0.750-8
5"	4.921	7.310	8.500	10.000	29.626	0.060	9.331	2.953	1.791	14.016	1.063	4.921	0.940	1/2"-13	φ0.880-8
6"	5.906	8.500	9.500	11.000	29.626	0.060	10.079	2.953	1.791	15.512	1.063	4.921	1.000	1/2"-13	φ0.880-8

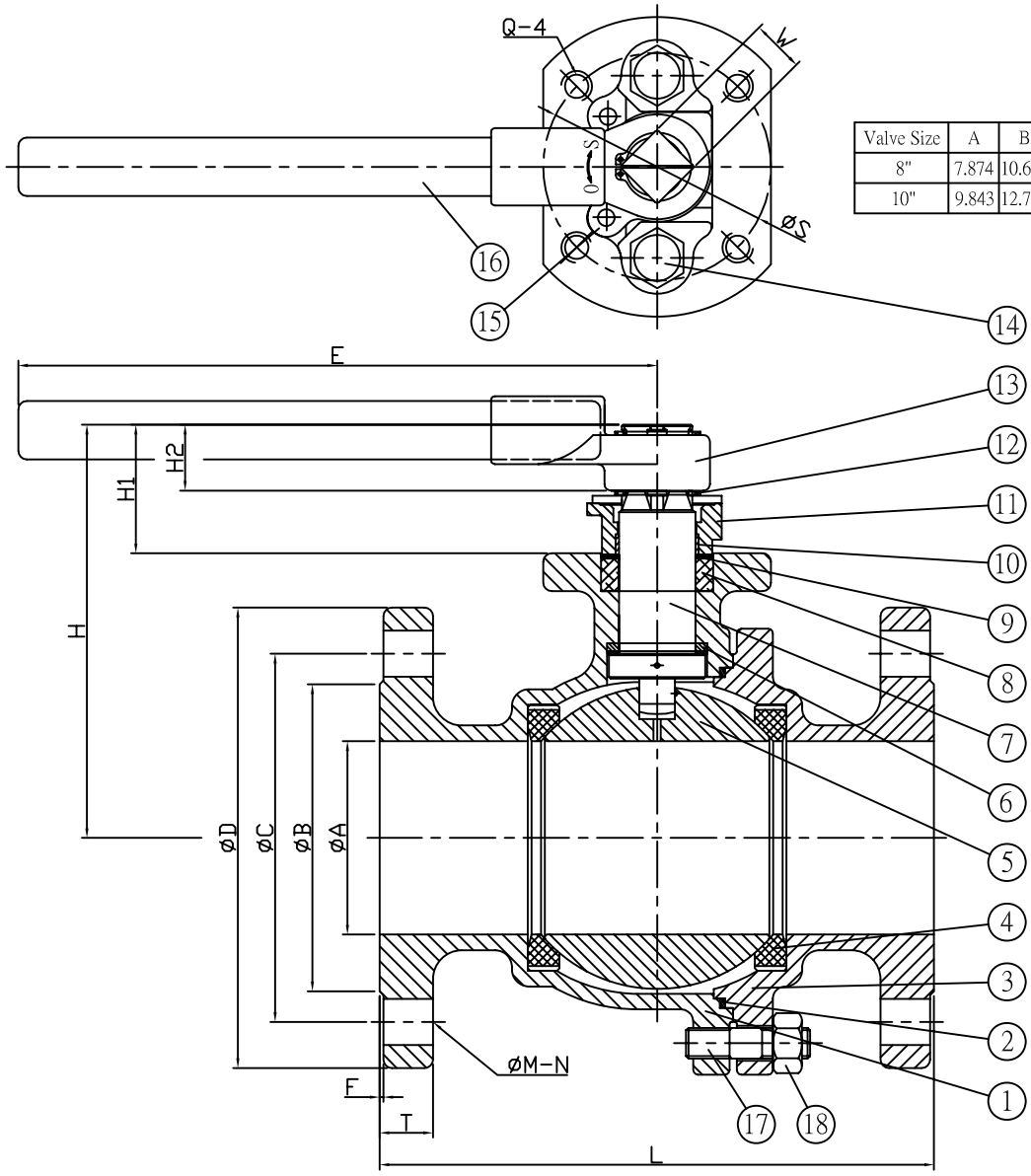
MATERIALS

NO.	PART NAME	MATERIAL
1	BODY	ASTM A351 Gr. CF8M
2	BODY SEAL	PTFE
3	END CAP	ASTM A351 Gr. CF8M
4	SEAT	RTFE.(+15% G/F)
5	BALL	SS316
6	THRUST WASHER	PTFE
7	STEM	SS 316
8	STEM PACKING	PTFE
9	GLAND WASHER	PTFE.
10	GLAND BEARING	PTFE.
11	GLAND	SS 304
12	SNAP RING	SS 304
13	HANDLE	FCD45
14	BOLT	SS 304
15	STOP PLATE	SS 304
16	STUD	ASTM A193 Gr. B8
17	NUT	ASTM A194 Gr. 8

REV	DATE	DESCRIPTION	CODE	REVISER	REMARKS	MATERIAL	APPROVE	CHECK	SCALE	FREE UNIT	mm	Q'TY	DATE	2005.09.22	REV	F	DRAWN BY	Peggy	
						1/2"~6"													
						ANSI 150													
						Flanged													
						Ball Valve													



Anson Flow Corp.



DIMENSIONS

Unit : Inch

Valve Size	A	B	C	D	E	F	H	H1	H2	L	W	S	T	Q	ØM-N
8"	7.874	10.620	13.000	15.000	32.126	0.060	12.815	2.913	1.713	19.764	1.417	5.512	1.620	5/8"-11	Ø1.000-12
10"	9.843	12.750	15.250	17.500	40.000	0.060	15.394	4.567	2.736	22.362	1.811	6.496	1.880	3/4"-10	Ø1.120-16

MATERIALS

NO.	PART NAME	MATERIAL
1	BODY	ASTM A351 Gr. CF8M
2	BODY SEAL	PTFE.
3	END CAP	ASTM A351 Gr. CF8M
4	SEAT	RTFE.(+15% G/F)
5	BALL	ASTM A351 Gr. CF8M
6	THRUST WASHER	PTFE.
7	STEM	SS 316
8	STEM PACKING	PTFE
9	GLAND WASHER	PTFE.
10	GLAND BEARING	PTFE.
11	GLAND	SS 304
12	SNAP RING	SS 304
13	HANDLE ADAPTER	SS 304
14	BOLT	SS 304
15	STOP PLATE	SS 304
16	HANDLE	CARBON STEEL
17	STUD	ASTM A193 Gr. B8
18	NUT	ASTM A194 Gr. 8

						8"~10"	MATERIAL	APPROVE		CHECK		REV	F
						ANSI 300		SCALE	FREE	UNIT	mm	DRAWN BY	Peggy
						Flanged	OTHER	PART NO	AF-50		⊕	DATE	2005.09.22
						Ball Valve		DWG NO	AF-50		TITLE	Q'TY	
													2-PC FLANGED END BALL VALVE
REV	DATE	DESCRIPTION	CODE	REVISER	REMARKS			AF Inson Anson Flow Corp.					