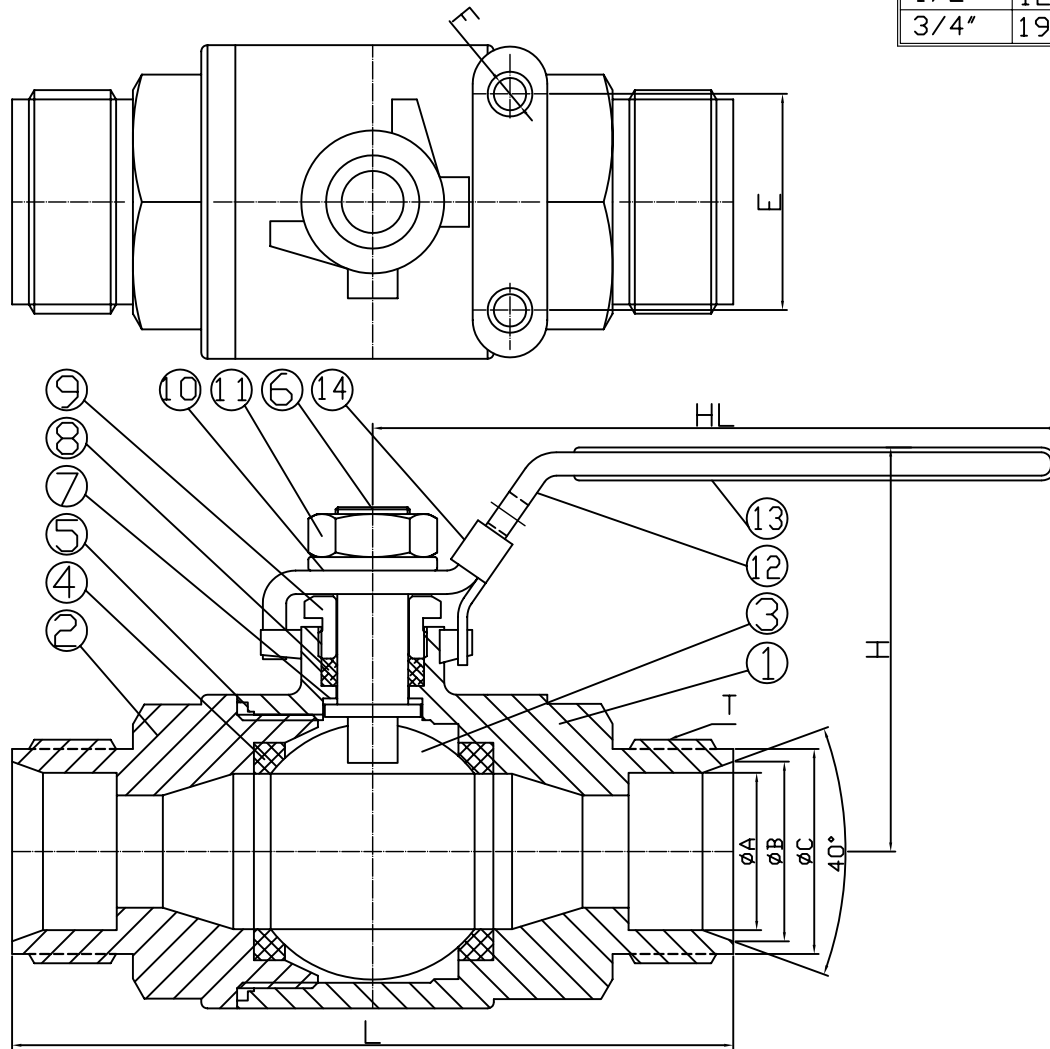
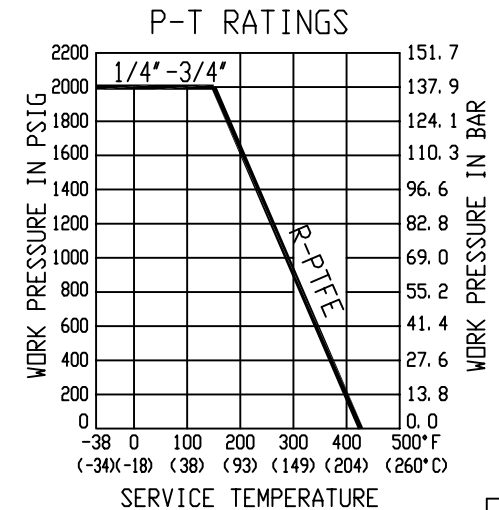


SIZE	ØA	ØB	ØC	E	F	T	L	H	HL
1/4"	6.5	8.74	9.4	28.5	#10-32	7/16" *20UNEF	67	47	101
3/8"	9.65	11.89	12.57	28.5	#10-32	9/16" *20UNEF	67	47	101
1/2"	12.85	15.9	17.3	28.5	#10-32	3/4" *20UNEF	77	49.6	101
3/4"	19.16	21.3	23.6	35	#10-32	1" *20UNEF	83	58	101



No.	PART NAME	MATERIAL
1	BODY	A351 CF8M
2	END CAP	A351 CF8M
3	BALL	A351 CF8M Gr. CF8M
4	BALL SEAT	RPTFE
5	BODY SEAL	PTFE
6	STEM	A276 TYPE 316
7	THRUST WASHER	RPTFE
8	STEM PACKING	PTFE
9	GLAND NUT	SUS 304
10	STEM WASHER	SUS 304
11	STEM NUT	SUS 304
12	HANDEL	SUS 304
13	HANDEL COVER	PVC
14	HANDEL LOCKING	SUS 304



						2000 PSI	MATERIAL	APPROVE	CHECK	REV	F
						2-pc		SCALE	FREE	UNIT	mm
						Compression	PART NO	AF-70		Q'TY	
						Ball Valve	OTHER	DWG NO	AF-70	TITLE	Compression End 2-pc Ball Valve
REV	DATE	DESCRIPTION			CODE	REVISER	REMARKS	AF low Anson Anson Flow Corp.			