

AF-35 SIZE: 1/4"-2" FIRE-SAFE API 607

3-PIECE FULL PORT and REDUCED PORT BALL VALVE  
SCREWED ENDS, BUTT WELDED END, SOCKET WELDED END  
ISO 5211 MOUNTING PAD

DIN 3202-M3 (SCREWED ENDS/SOCKET WELDED ENDS)  
-S13 (BUTT WELDED ENDS)

PRESSURE: 2000 PSI ( CLASS 800 ) W. O. G.

STAINLESS STEEL: 316 BODY, with 316 SS TRIM

CARBON STEEL: WCB BODY, with 316 SS TRIM

Remark: 1/4" - 1/2" FULL BORE - NOT Direct Mounting

1/4" - 3/4" REDUCED BORE - NOT Direct Mounting

STANDARDS APPLICABLE

ASME B16.34-STEEL VALVES FLANGED, THREADED, AND WELDING END

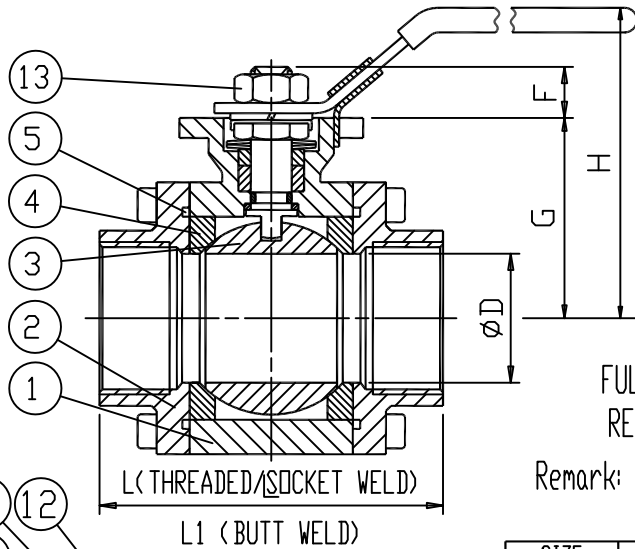
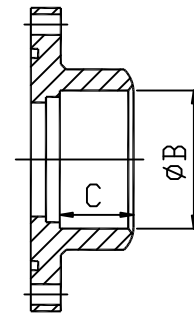
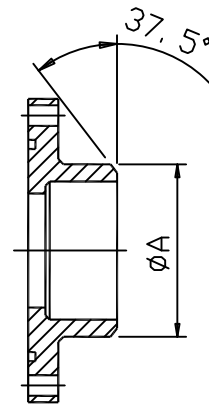
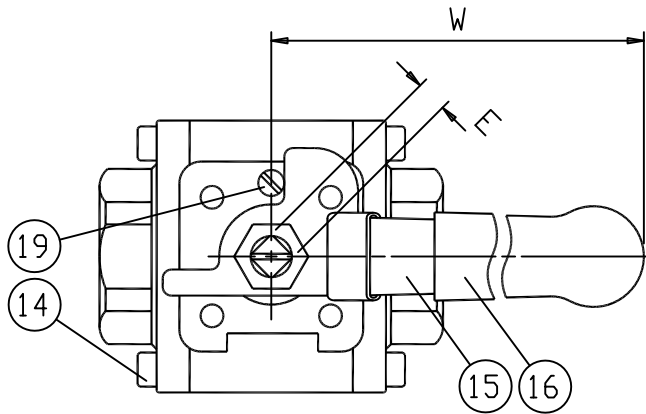
ASME B1.20.1-PIPE THREADS, GENERAL PURPOSE

ASME B16.10-FACE TO FACE & END TO END DIMENSIONS OF VALVES

API 598-VALVE INSPECTION AND TESTING

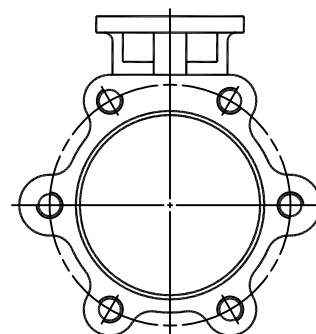
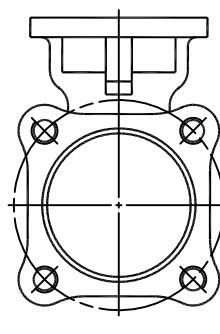
MSS SP72-BALL VALVES WITH FLANGED OR BUTT WELDING ENDS FOR GENERAL SERVICES

MSS SP25-STANDARD MARKING SYSTEM FOR VALVES FITTINGS, FLANGES AND UNIONS



BUTT WELD

SOCKET WELD



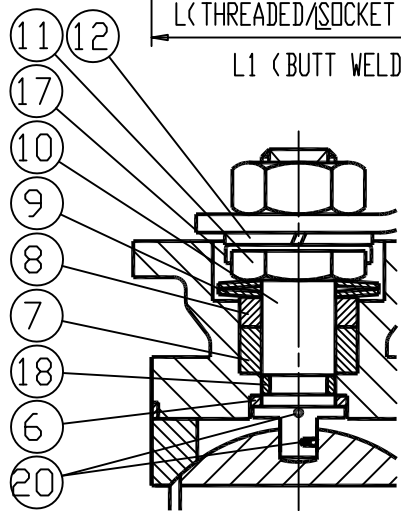
FULL PORT 1/4"-1 1/2"  
REDUCED PORT 1/2"-2"

FULL PORT 2"

Remark: 1/4" - 1/2" FULL BORE - NOT Direct Mounting  
1/4" - 3/4" REDUCED BORE - NOT Direct Mounting

ITEM	DESCRIPTION	STAINLESS STEEL	CARBON STEEL	Q'TY
1	BODY	ASTM A351 CF8M	ASTM A216 WCB	1
2	END CAP	ASTM A351 CF8M	ASTM A216 WCB	2
3	BALL	ASTM A351 CF8M/316	ASTM A351 CF8M/316/304	1
4	SEAT	PTFE		2
5-1	GASKET	GRAPHITE		2
5-2		PTFE		2
6-1	THRUST WASHER	GRAPHITE		1
6-2		PTFE		1
7	STEM PACKING	GRAPHITE		1
8	GLAND	AISI 304		1
9	BELLEVILLE WASHER	AISI 301		2
10	STEM	ASTM A276 316		1
11	PACKING NUT	AISI 304		1
12	SPRING WASHER	AISI 304		1
13	HANDLE NUT	AISI 304		1
14	BOLT	ASTM A193 B8	ASTM A193 B7	8-12
15	HANDLE	AISI 304	ZINC PLATED STEEL	1
16	HANDLE GRIP	VINYL PLASTISOL		1
17	LOCK SADDLE	AISI 304		1
18	O-RING	VITON		1
19	STOPPER NUT	AISI 304	CARBON STEEL	1
20	ANTI-STATIC DEVICE	AISI 304		1-2

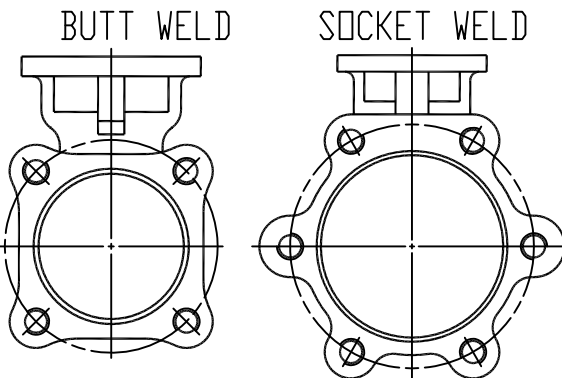
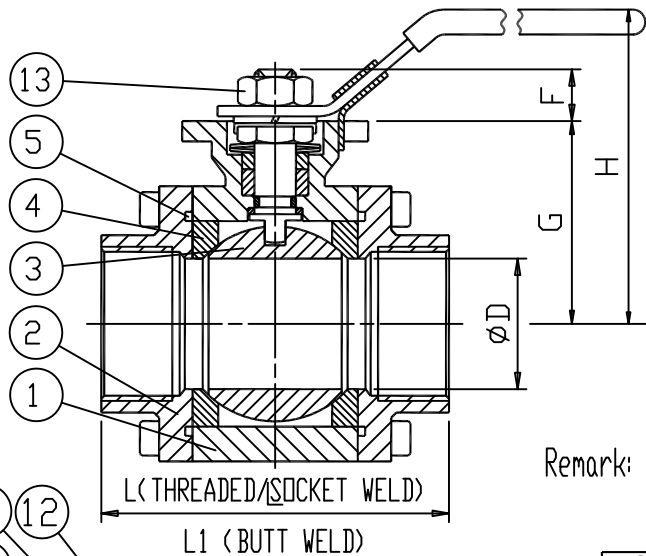
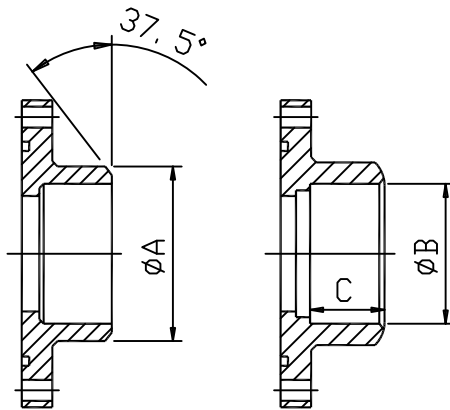
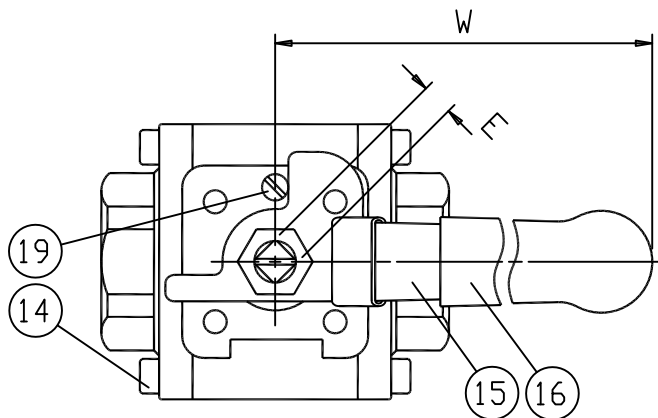
SIZE	ØD		L		L1		E	F	G	H	W	ØA		ØB		C	ISO 5211 (F)	Weights KG														
	IN	MM	IN	MM	IN	MM						IN	MM	IN	MM				IN	MM	IN	MM										
1/4"	8	0.43	11.0	2.55	65.0	2.75	70.0	0.35	9.0	0.31	8.0	1.47	37.5	2.75	70.0	5.51	140.0	0.54	13.8	0.56	14.2	0.39	10.0	F04	1.1							
3/8"	10	0.55	14.0	2.95	75.0	2.95	75.0											0.68	17.3	0.69	17.6					0.85	21.7	0.86	21.8	0.51	13.0	1.1
1/2"	15	0.80	20.5	3.14	80.0	3.54	90.0											0.43	11.0	0.43	11.0					1.96	52.0	3.54	90.0	7.08	180.0	1.07
3/4"	20	0.98	25.0	3.54	90.0	3.93	100.0	2.36	60.0	3.93	100.0	1.34	34.0	1.33	33.9	2.2																
1"	25	1.24	31.5	4.33	110.0	4.33	110.0	2.83	72.0	4.40	112.0	1.68	42.7	1.68	42.7	3.3																
1 1/4"	32	1.45	37.0	4.72	120.0	4.92	125.0	0.55	14.0	0.67	17.0	2.99	76.0	4.52	115.0	8.46	215.0	1.91	48.6	1.92	48.8	0.63	16.0	F07	4.6							
1 1/2"	40	1.96	50.0	5.51	140.0	5.90	150.0											3.66	93.0	5.23	133.0					2.38	60.5	2.41	61.2	0.67	17.0	7.3
2"	50																															



ANTI-STATIC DEVICE  
FULL PORT 1/4"-1/2"  
REDUCED PORT 1/4"-3/4"

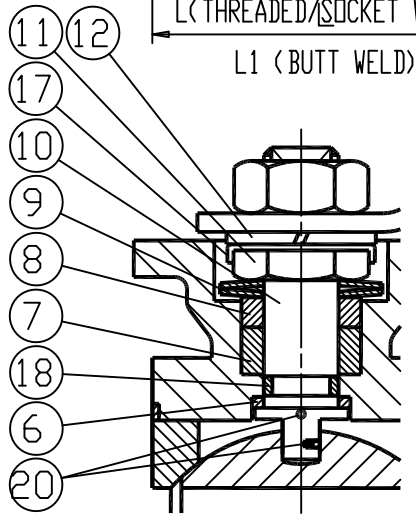


REV	DATE	DESCRIPTION	CODE	REVISOR	REMARKS	MATERIAL	APPROVE	CHECK	SCALE	UNIT	DATE	Q'TY	TITLE	F
						FULL PORT			FREE	mm	2019.09.05		3-PC FIRESAFE Full Port Ball Valve	Peggy
						2000 PSI			AF-35					
						FIRE-SAFE			AF-35					
						API 607								



REDUCED PORT 1/4" - 2"      REDUCED PORT 2-1/2"

Remark: 1/4" - 1/2" FULL BORE - NOT Direct Mounting  
 1/4" - 3/4" REDUCED BORE - NOT Direct Mounting



ANTI-STATIC DEVICE  
 FULL PORT 1/4" - 1/2"  
 REDUCED PORT 1/4" - 3/4"



AF-35 SIZE: 1/4" - 2" FIRE-SAFE API 607

3-PIECE FULL PORT and REDUCED PORT BALL VALVE  
 SCREWED ENDS, BUTT WELDED END, SOCKET WELDED END  
 ISO 5211 MOUNTING PAD  
 DIN 3202-M3 (SCREWED ENDS/SOCKET WELDED ENDS)

-S13 (BUTT WELDED ENDS)  
 PRESSURE: 2000 PSI (CLASS 800) W. D. G.  
 STAINLESS STEEL: 316 BODY, with 316 SS TRIM  
 CARBON STEEL: WCB BODY, with 316 SS TRIM  
 Remark: 1/4" - 1/2" FULL BORE - NOT Direct Mounting  
 1/4" - 3/4" REDUCED BORE - NOT Direct Mounting

STANDARDS APPLICABLE

ASME B16.34-STEEL VALVES FLANGED, THREADED, AND WELDING END

ASME B1.20.1-PIPE THREADS, GENERAL PURPOSE

ASME B16.10-FACE TO FACE & END TO END DIMENSIONS OF VALVES

API 598-VALVE INSPECTION AND TESTING

MSS SP72-BALL VALVES WITH FLANGED OR BUTT WELDING ENDS FOR GENERAL SERVICES

MSS SP25-STANDARD MARKING SYSTEM FOR VALVES FITTINGS, FLANGES AND UNIONS

ITEM	DESCRIPTION	STAINLESS STEEL	CARBON STEEL	Q'TY
1	BODY	ASTM A351 CF8M	ASTM A216 WCB	1
2	END CAP	ASTM A351 CF8M	ASTM A216 WCB	2
3	BALL	ASTM A351 CF8M/316	ASTM A351 CF8M/316/304	1
4	SEAT	PTFE		2
5-1	GASKET	GRAPHITE		2
5-2		PTFE		2
6-1	THRUST WASHER	GRAPHITE		1
6-2		PTFE		1
7	STEM PACKING	GRAPHITE		1
8	GLAND	AISI 304		1
9	BELLEVILLE WASHER	AISI 301		2
10	STEM	ASTM A276 316		1
11	PACKING NUT	AISI 304		1
12	SPRING WASHER	AISI 304		1
13	HANDLE NUT	AISI 304		1
14	BOLT	ASTM A193 B8	ASTM A193 B7	8-12
15	HANDLE	AISI 304	ZINC PLATED STEEL	1
16	HANDLE GRIP	VINYL PLASTISOL		1
17	LOCK SADDLE	AISI 304		1
18	O-RING	VITON		1
19	STOPPER NUT	AISI 304	CARBON STEEL	1
20	ANTI-STATIC DEVICE	AISI 304		1-2

SIZE		ØD		L		L1		E		F		G		H		W		ØA		ØB		C		ISO 5211 (F)	Weights KG
IN	DN	IN	MM	IN	MM	IN	MM	IN	MM	IN	MM	IN	MM	IN	MM	IN	MM	IN	MM	IN	MM	IN	MM		
1/4"	8																	0.54	13.8	0.56	14.2	0.39	10.0	F04	1.1
3/8"	10	0.43	11.0	2.55	65.0	2.75	70.0	0.35	9.0	0.31	8.0	1.47	37.5	2.75	70.0	5.51	140.0	0.68	17.3	0.69	17.6			F04	1.1
1/2"	15																	0.85	21.7	0.86	21.8	0.51	13.0	F04	1.1
3/4"	20	0.55	14.0	2.95	75.0	2.95	75.0											1.07	27.2	1.07	27.2			F04-F05	1.1
1"	25	0.80	20.5	3.14	80.0	3.54	90.0	0.43	11.0	0.43	11.0	1.96	52.0	3.54	90.0	7.08	180.0	1.34	34.0	1.33	33.9	0.59	15.0	F04-F05	1.6
1 1/4"	32	0.98	25.0	3.54	90.0	3.93	100.0					2.36	60.0	3.93	100.0			1.68	42.7	1.68	42.7			F07	2.2
1 1/2"	40	1.24	31.5	4.33	110.0	4.33	110.0					2.83	72.0	4.40	112.0			1.91	48.6	1.92	48.8	0.63	16.0	F07	3.3
2"	50	1.45	37.0	4.72	120.0	4.92	125.0	0.55	14.0	0.67	17.0	2.99	76.0	4.52	115.0	8.46	215.0	2.38	60.5	2.41	61.2			F07	4.6
2 1/2"	65	1.96	50.0	5.51	140.0	5.90	150.0					3.66	93.0	5.23	133.0			3.00	76.3	2.91	73.9	0.67	17.0	F07	7.3

REV	DATE	DESCRIPTION	CODE	REVISOR	REMARKS	MATERIAL	APPROVE	CHECK	SCALE	FREE	UNIT	mm	DRAWN BY	Peggy
						REDUCED PORT			PART NO	AF-35R		Q'TY	DATE	2019.09.05
						2000 PSI			DWG NO	AF-35R		TITLE	3-PC FIRESAFE	Reduced Port Ball Valve
						FIRE-SAFE								
						API 607								