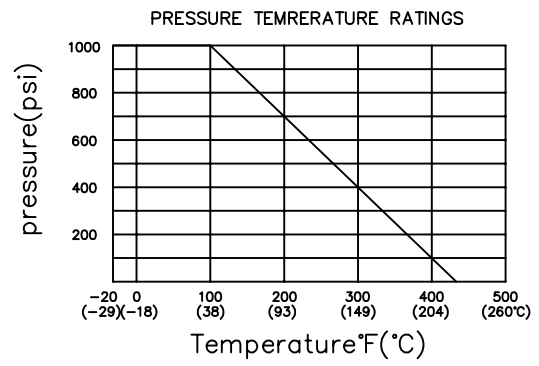
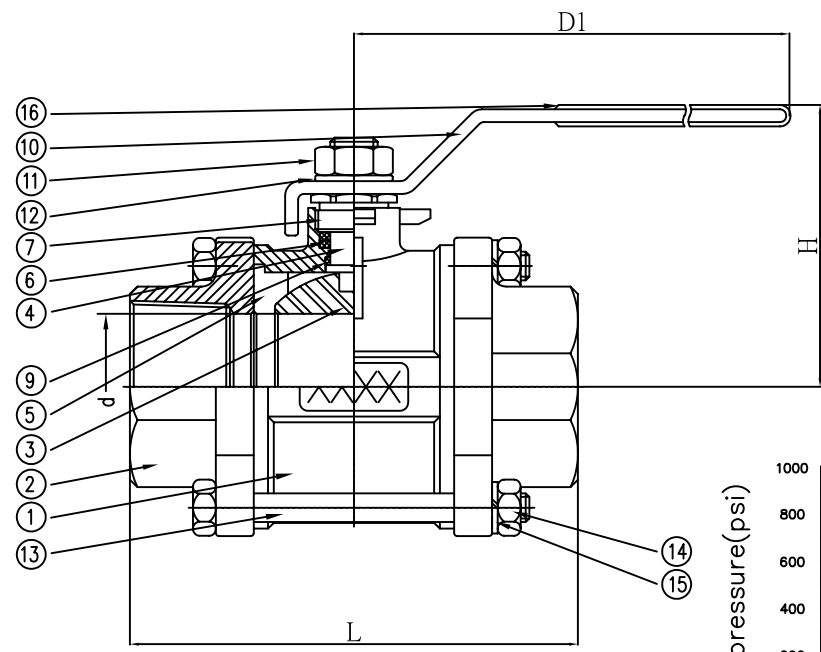


SIZE	d	L	H	D1
1/4"	11.5	54.0	49.0	97.4
3/8"	12.5	54.0	49.0	97.4
1/2"	15.0	63.5	58.5	122.9
3/4"	20.0	72.5	61.0	122.9
1"	25.0	81.0	68	144.9
1 1/4"	32.0	94.5	73.5	144.9
1 1/2"	38.0	108	83.2	188.9
2"	50.0	121.5	91	188.9
2 1/2"	65.0	157.5	130.3	255.3
3"	80.0	190	138.5	260.8
4"	100	225	216.5	325.0



NO.	PART NAME	MATERIAL		QTY
		STAINLESS STEEL	CARBON STEEL	
1	BODY	ASTM A351 Gr.CF8M	ASTM A216 WCB	1
2	CAP	ASTM A351 Gr.CF8M	ASTM A216 WCB	2
3	BALL	ASTM A351 Gr.CF8M	ASTM A351 Gr.CF8M	1
4	STEM	ASTM A276 Gr.316	ASTM A276 Gr.316	1
5	BALL SEATS	PTFE	PTFE	2
6	STEM PACKING	PTFE	PTFE	1
7	GLAND	S.S.304	S.S.304	1
9	THRUST WASHER	PTFE	PTFE	1
10	HANDLE	S.S.304	S.S.304	1
11	HANDLE NUT	S.S.304	S.S.304	1
12	HANDLE WASHER	S.S.304	S.S.304	1
13	BOLTS	S.S.304	S.S.304	4-6
14	BOLTS NUTS	S.S.304	S.S.304	4-6
15	BOLTS WASHERS	S.S.304	S.S.304	4-6
16	HANDLE SLEEVE	VINYL GRIP	VINYL GRIP	1

REV	DATE	DESCRIPTION	CODE	REVISER	REMARKS

1/4"~4"	MATERIAL	APPROVE	CHECK	REV	1
	SCALE	FREE	UNIT	DRAWN BY	
	PART NO	AF-30	mm	DATE	2004.04.08
	OTHER	DWG NO	AF-V3A00	Q'TY	
			TITLE	3-PC BALL VALVE	
			Anson Flow Corp.		