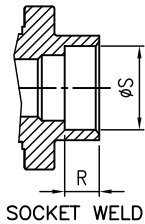
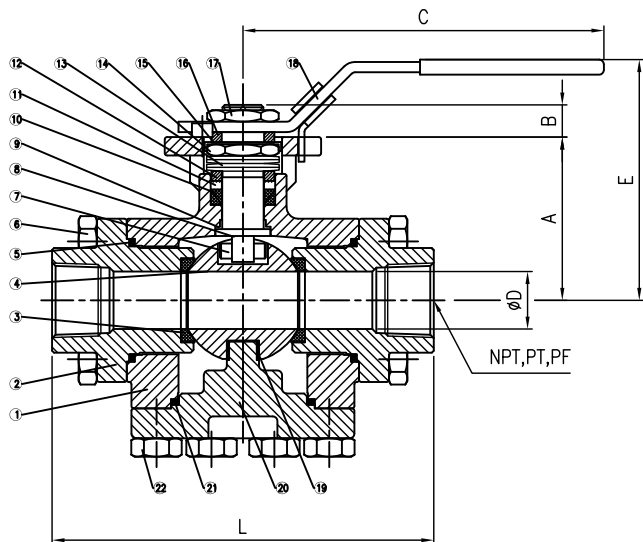


4 WAY "LL" (X) PORT



SOCKET WELD



NO.	NAME OF PARTS	MATERIALS	OPTION
1	BODY	A351 Gr. CF8M	A216 Gr. WCB
2	END CAP	A351 Gr. CF8M	A216 Gr. WCB
3	SEATS	PEEK	
4	BALL	SS 316	
5	GASKET	GRAPHITE	
6	END BOLTS	SS 304	
7	TRUNNION PIN	SS 316	
8	STEM	SS 316	
9	THRUST WASHER	PEEK	
10	STEM PACKING	GRAPHITE	
11	STEM BUSHING	PEEK	
12	GLAND	SS 304	
13	BELLEVILLE WASHER	SS 301	
14	STEM NUT	SS 304	
15	NUT STOP	SS 304	
16	SPACE WASHER	SS 304	
17	HANDLE NUT	SS 304	
18	HANDLE	SS 304	
19	TRUNNION BUSHING	PEEK	
20	TRUNNION CAP	A351 Gr. CF8M	A216 Gr. WCB
21	GASKET	GRAPHITE	
22	TRUNNION CAP BOLTS	SS 304	
23	BLANK CAP	A351 Gr. CF8M	A216 Gr. WCB
24	STOP PIN	SS 304	
25	LEVER HEAD	CF8	
26	SET BOLT	SS 304	
27	LEVER	CABON STEEL	

SIZE	A	B	C	D	E	F	G	d1	d2	H	L	SW		BW(40#)		BW(80#)	
												R	S	OD	ID	OD	ID
1/4"	52	11	160	11	82	-	50	-	7.2	11	120	11.1	14.2	13.7	10	13.7	7.5
3/8"	52	11	160	12	82	-	50	-	7.2	11	120	11.1	17.5	17.1	12	17.1	10.7
1/2"	52	11	160	15	82	-	50	-	7.2	11	120	12.7	21.7	21.3	15.7	21.3	13.9
3/4"	63	11	160	20	93	-	50	-	7.2	11	152	14.3	27.1	26.7	20.9	26.7	18.9
1"	71	14	250	25	115	50	70	7.2	9.2	14	166	15.9	33.8	33.4	26.6	33.4	24.2
1 1/2"	92	17	250	38	135	70	102	9.2	11.4	17	217	19.1	48.6	48.3	40.9	48.3	38.1
2"	123	26	310	50	183	102	125	11.4	13.5	22	266	22.2	61.1	60.3	52.5	60.3	49.3

- * Available in stainless steel or carbon steel
- * Construction design follow ANSI B16.34 Standard
- * Body & end are investment cast
- * Self adjusting stem packing
- * Available in 3 way & 4 way
- * Available in T-port or L port or X-port
- * 4 piece ball seats
- * Blow-out proof stem design
- * 100% air tested under water at 80-100 psi
- * Working pressure 3000 psi
- * Temperature range -20 to 450°f
- * ISO 5211 direct mounting pad / connection DIN 3337
- * End cap type : threaded , socket weld , butt weld

REV	DATE	DESCRIPTION	CODE	REVISER	REMARKS	MATERIAL	APPROVE	CHECK	SCALE	UNIT	TITLE	REV	F
					3-way Ball Valve				FREE	mm	3-Way Ball Valve		
					3000 PSI				S2H				
					Direct Mount				S2H- G01				



Anson Flow Corp.