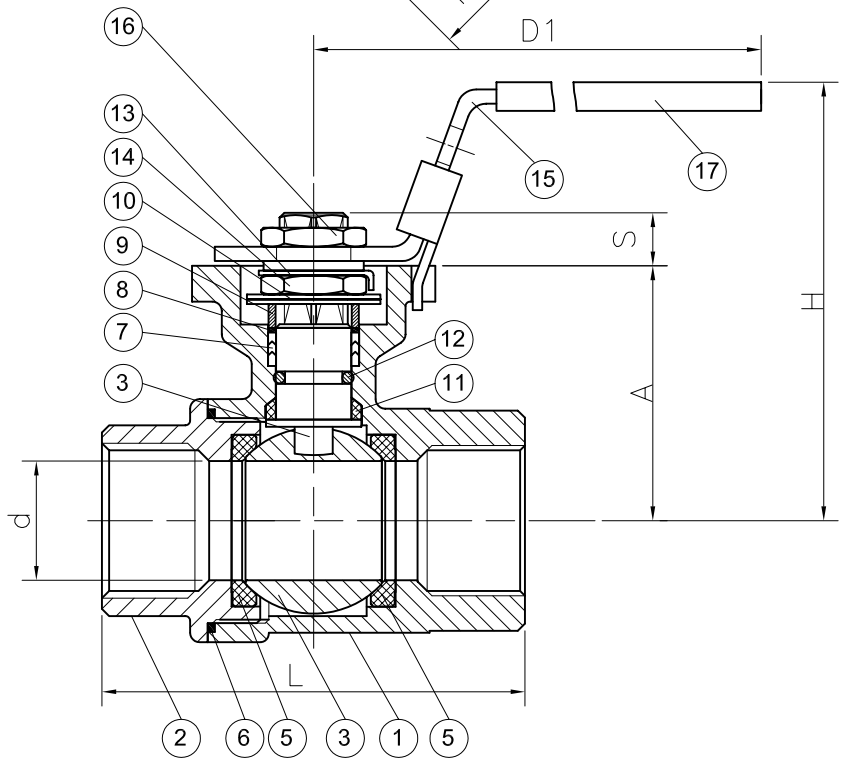


SIZE	d	L	øF	øM	ISO 5211	in-lb	D	H	D1	S	A
1/4"	11.5	65.3	6.0	7.0	36 F03 / 50 F05	43.5	9.0	72.85	112.0	8.5	36.95
3/8"	12.5	65.3	6.0	7.0	36 F03 / 50 F05	43.5	9.0	72.85	112.0	8.5	36.95
1/2"	15.0	65.3	6.0	7.0	36 F03 / 50 F05	43.5	9.0	72.85	112.0	8.5	36.95
3/4"	20.0	77.3	6.0	7.0	36 F03 / 50 F05	69.5	9.0	81.8	112.0	8.5	45.0
1"	25	88.7	6.0	7.0	36 F03 / 50 F05	95.5	9.0	90.45	136.0	11.4	53.45
1 1/4"	32	102.4	6.0	7.0	36 F03 / 50 F05	130.2	9.0	97.95	185.0	11.0	58.95
1 1/2"	38	109	7.0	9.0	50 F05 / 70 F07	217	14.0	114.7	197.9	14.0	74.75
2"	50	125.3	7.0	9.0	50 F05 / 70 F07	286.5	14.0	124.0	197.9	13.7	83.5



NO	PART NAME	MATERIAL
1	BODY	ASTM A351 Gr.CF8M
2	CAP	ASTM A351 Gr.CF8M
3	BALL	ASTM A351 Gr.CF8M
4	STEM	S.S.316
5	BALL SEATS	PTFE
6	GASKET	PTFE
7	STEM PACKING	PTFE
8	THRUSP WASHER	PTFE
9	GLAND BUSH	S.S.304
10	BEVELILLE WASAER	SUS304-USP
11	THRUST WASHER	PTFE 25% G/F
12	O-RING	VITON
13	STOP	S.S.304
14	HANDLE NUT	S.S.304
15	HANDLE	S.S.304
16	HANDLE NUT	S.S.304
17	SLEEVE	VINYL GRIP

									REV	F
					1000 PSI	MATERIAL	APPROVE	CHECK	DRAWN BY	Peggy
					2-pc		SCALE	FREE	UNIT	mm
					Direct Mount	OTHER	PART NO	AF-23	Q'TY	
							DWG NO	AF-23	TITLE	2-PC THREAD END BALL VALVE
REV	DATE	2 pc Threaded 1000 WOG Full Bore Direct Mount			CODE	REVISER	REMARKS			