

**Economical 1 Piece Reduced Port
Thread End Ball Valve
Pressure Rating:1000 PSI W.O.G.
Size:1/4"-2"**

**AF-10**

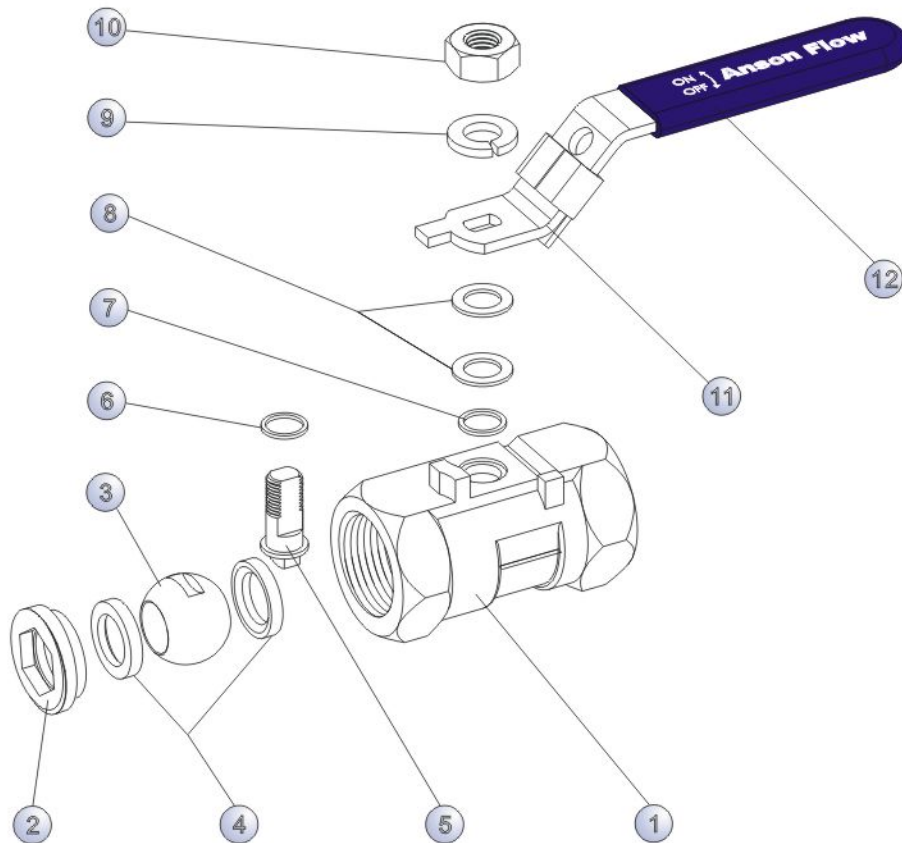
Features

- Body: Investment Casting Stainless Steel, Carbon Steel
- Blowout Proof Stem
- Ends : Threaded to BSP, BSPT, NPT
- Live Loaded Stem Seal
- Locking Handle (Optional)
- Temperature : -20⁰F to 350⁰F (-29⁰C to 180⁰C)
- Low Operating Torque
- Applicable Standard: API 598,Test & Inspection



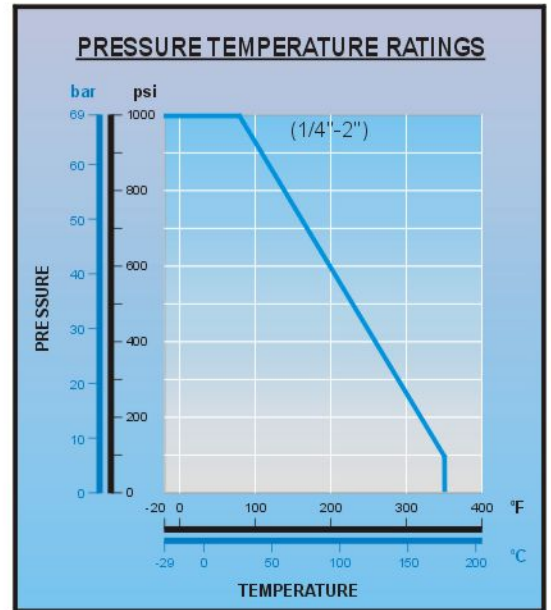
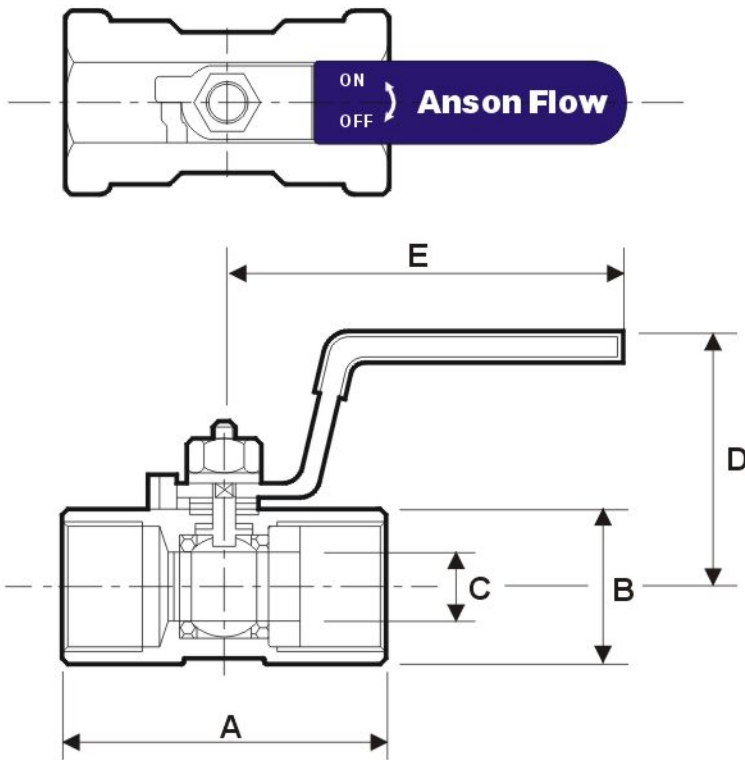
ISO 9001 REGISTERED

Material Specifications



NO.	PART	STAINLESS STEEL	CARBON STEEL	QTY
1	BODY	ASTM A351 Gr. CF8M	ASTM A216 Gr. WCB	1
2	CAP	ASTM A351 Gr. CF8M	ASTM A216 Gr. WCB	1
3	BALL	ASTM A351 Gr. CF8M	ASTM A351 Gr. CF8M	1
4	SEAT	PTFE	PTFE	2
5	STEM	SS 316	SS 316	1
6	THRUST WASHER	PTFE	PTFE	1
7	STEM SEAL	PTFE	PTFE	1
8	WASHER	SS 304	SS 304	2
9	SPRING WASHER	SS 304	SS 304	1
10	HANDLE NUT	SS 304	SS 304	1
11	HANDLE	SS 304	SS 304	1
12	HANDLE SLEEVE	VINYL GRIP	VINYL GRIP	1

Valve Dimensions



Size	Dimension in mm					Torque	Weight
	A	B	C	D	E		
1/4"	39.0	17.0	5.0	30.5	69.7	13.0	0.07
3/8"	44.0	21.0	7.2	31.0	81.5	13.0	0.11
1/2"	56.5	25.0	9.2	47.0	97.0	13.0	0.19
3/4"	59.0	32.0	12.5	50.5	97.0	19.5	0.26
1"	71.0	38.0	15.0	52.0	101.0	40.0	0.42
1-1/4"	78.0	48.0	20.0	57.0	101.0	40.0	0.65
1-1/2"	83.0	53.0	25.0	66.5	146.0	45.0	0.83
2"	100.0	64.0	32.0	71.5	146.0	75.0	1.35

How To Order

Type	AF-10		Body Material	Seat		
	Size	05			S	P
AF-10	01	1/4"	S	ASTM A351 Gr. CF8M	P	PTFE
	02	3/8"	W	ASTM A216 Gr. WCB	R	R-PTFE
	03	1/2"				
	04	3/4"				
	05	1"				
	06	1-1/4"				
	07	1-1/2"				
	08	2"				