

ANSON FLOW CORP.



LINED BALL CHECK VALVE (NRV) # 150

DATE : 21 APR 2008

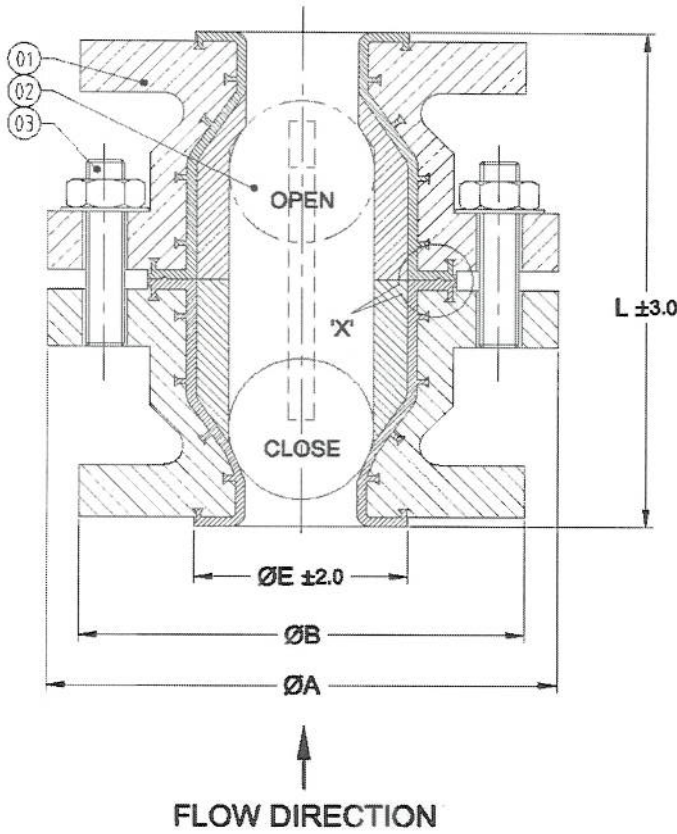
DRG.NO : LB0001

00
REV.NO.

APPROVED :

CHECKED :

DRAWN :



PT.NO.	PART NAME	MATERIAL
01	BODY	DI - WITH PFA / FEP LINING
02	BALL	PTFE (SOLID BALL)
03	FASTENERS	SS 304

NOTES

- 1) ALL DIMENSION ARE IN mm.
- 2) FACE TO FACE DIMENSIONS AS PER MANUFACTURE STD.
- 3) FLANGE DIMENSIONS AS PER ASME B 16.5 #150
- 4) VALVES ARE TO BE MOUNTED VERTICAL ONLY.
- 5) WEIGHT INDICATED IS APPROXIMATE.



DETAIL - 'X'

SIZE	15	20	25	40	50	65	80	100	150
L	108	117	127	165	178	191	203	229	267
ØA	105	115	125	160	175	205	240	270	330
ØB	89	98.4	108	127	152.4	177.8	190.5	228.6	279.4
ØE	35	43	51	73	92	105	127	157	216
MIN LINING THK	3.0	3.0	3.2	3.2	3.5	3.5	3.5	4.0	5.0
WEIGHT kgs	2.5	3.0	4.5	9.0	10.5	18.5	29	33	48.5
QTY									

TAG NO

CODE	DI	304	PTFE	PFA / FEP
MATERIAL SPECN	A 395 DI	A276 304	D-14-57 TYPE-III	D-3307/D-2116

CUSTOMER _____
 ORDER NO. _____
 JOB/PROJECT _____

TEST PRESSURE - bar			
TEST	HYD	SHELL SEAT	26 - BEFORE & AFTER LINING
			16 - AFTER LINING
	SPARK		100 % SPARK TESTING AT 15 KVA FOR ALL LINED PARTS IN CONTACT WITH FLUID

FOR APPROVAL FOR RECORD