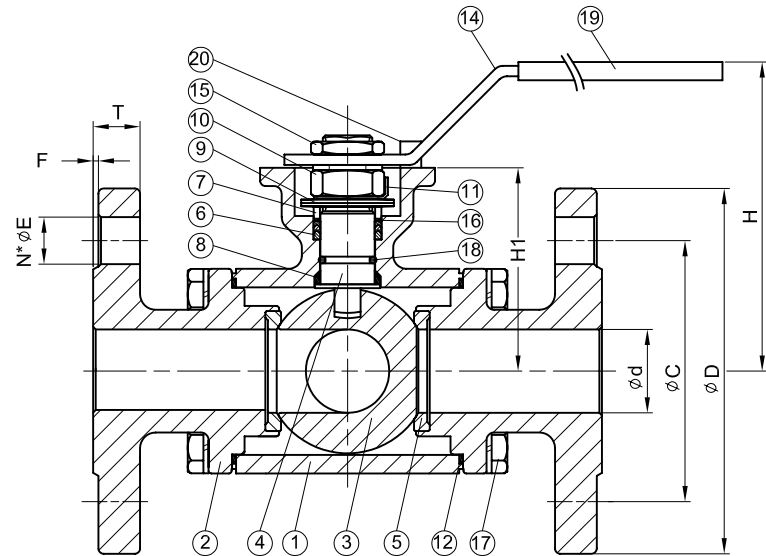
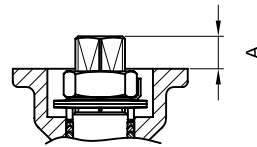


SIZE	PN	d	C	D	N	E	F	T	H	H1	L	D1	A	M1	M2	M3	M4	K
1/2"	16	16	65	95	4	14	2.0	16	89	50	158	133	9.0	6.0			42	9
3/4"		20	75	105	4	14	2.0	18	98	59.5	169	178.5	9.5	7.0			50	11
1"		25	85	115	4	14	2.0	18	102	63.5	185	178.5	11	7.0			50	11
1 1/4"	40	32	100	140	4	18	2.0	18	118.5	79.5	195	230	15.2	7.0	9.0	50	70	14
1 1/2"		38	110	150	4	18	2.0	18	127	88	232	230	14.3	7.0	9.0	50	70	14
2"	16	50	125	165	4	18	2.0	20	139	105	253	280	17.8	9.0	11.0	70	102	17
					8	18		22										
2 1/2"	16	65	145	185	4	18	2.0	18	117.3	165.7	278	250	17.5	9.0	11.0	70	102	17
	40				8	18		22										

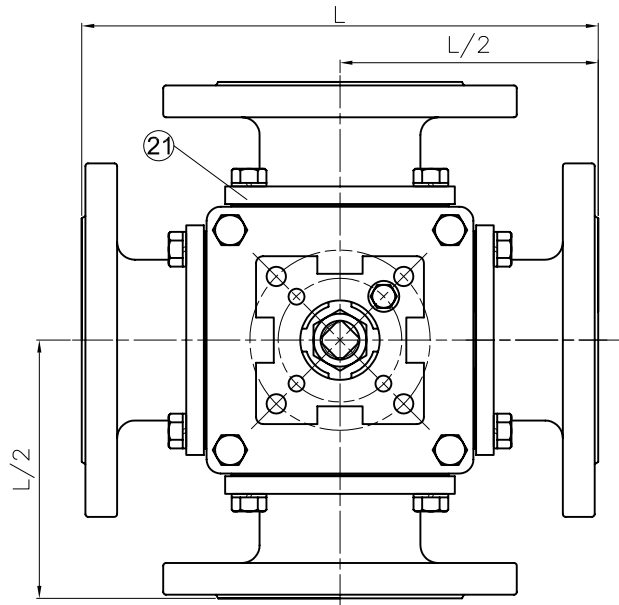


PORT TYPE	1	2	3	4
L				
T				

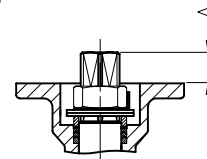
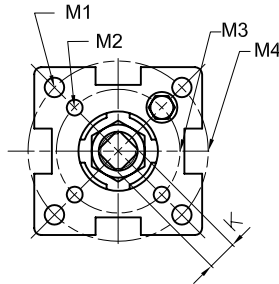
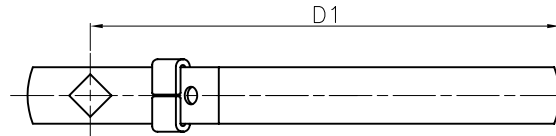
NO.	PART NAME	MATERIAL	Q'TY
1	BODY	1.4408	1
2	END CAP	1.4408	3
3	BALL	1.4408	1
4	STEM	SS.316	1
5	BALL SEATS	PTFE.	4
6	STEM PACKING	PTFE	1
7	GLAND BUSH	SS.304	1
8	THRUST WASHER	PTFE.	1
9	BEVELILLE WASHER	SS.304	2
10	HANDLE NUT	SS.304	1
11	STOP	SS.304	1
12	GASRET	PTFE	5
13	END CAP	1.4408	1
14	HANDLE	SS.304	1
15	HANDLE NUT	SS.304	1
16	THRUST WASHER	PTFE 25% G/F	1
17	BLOTTING	SS.304	16
18	O-RING	VITON	1
19	HANDLE SLEEVE	VINYL GRIP	1
20	STOP BOLT	SS.304	1

REV	DATE	DESCRIPTION	CODE	REVISER	REMARKS
		4-Way Flanged End Ball Valve PN16/40 1/2"~2 1/2"			

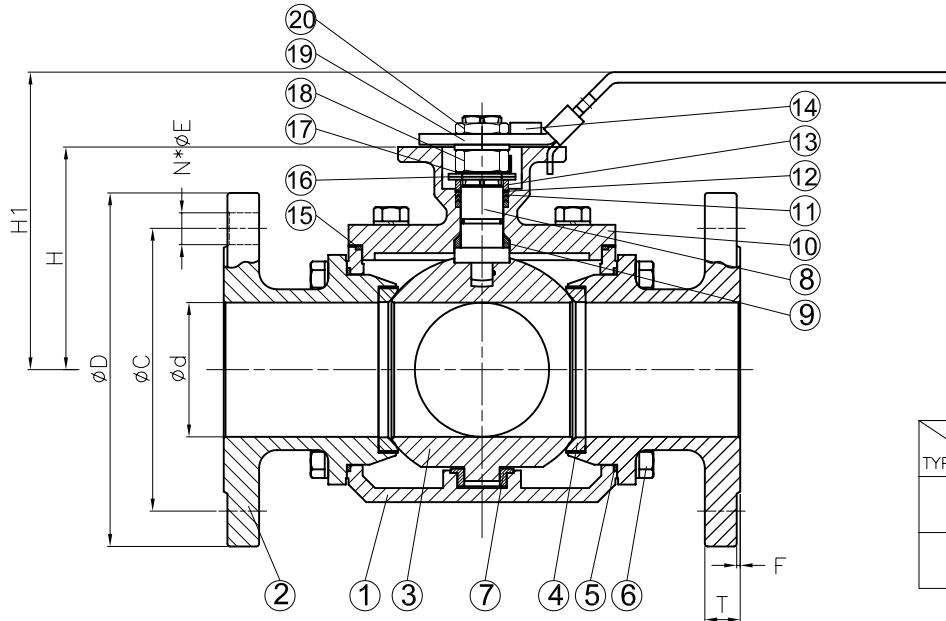
MATERIAL	APPROVE	CHECK	SCALE	UNIT	mm	DATE	2004.06.29	Q'TY	4-WAY FLANGED END BALL VALVE
			FREE	UNIT	mm				
			PART NO	S2B					
			DWG NO	S2B-4B-4-PN-001	TITLE				
<b>AFlow</b> Anson Flow Corp.									



SIZE	PN	d	C	D	N	E	F	T	H	H1	L	D1	A	K	M1	M2	M3	M4
3"	16	76	160	200	8	18	2.0	20	128	170	292.2	250	17.5	17	9.0	11	70	102
	24																	
4"	16	100	180	220	8	18	2.0	20	165	230	360	300	23	22	11	13	102	125
	40		190	235		22		24										



NO.	PART NAME	MATERIAL	Q'TY
1	BODY	1.4408	1
2	END CAP	1.4408	4
3	BALL	1.4408	1
4	BALL SEATS	FTFE	4
5	GASKET	PTFE.	4
6	BLOTING	SS.304	20
7	BALL SEATS	PTFE.	1
8	STEM	SS.316	1
9	THRUST WASHER	PTFE	1
10	CAP	1.4408	1
11	STEM PACKING	PTFE	1組
12	THRUST WASHER	PTFE 25% G/F	1
13	GLAND BUSH	SS.304	1
14	STOP BOLT	SS.304	1
15	GASRET	PTFE	1
16	BEVELILLE WASHER	SS.304	2
17	STOP	SS.304	1
18	HANDLE NUT	SS.304	1
19	HANDLE	SS.304	1
20	HANDLE NUT	SS.304	1



PORT TYPE	1	2	3	4
L	1 3	2 3	1 3	2 3
T	1 3	2 3	1 3	2 3

REV	DATE	DESCRIPTION	CODE	REVISER	REMARKS	MATERIAL	APPROVE	CHECK	REV	F				
									SCALE	FREE	UNIT	mm	DRAWN BY	Peggy
									PART NO	S2B			DATE	2004.06.29
									OTHER	DWG NO	S2B-4B-4-PN-002		Q'TY	
		4-Way Flanged End Ball Valve PN16/40 3"~4"										TITLE	4-WAY FLANGED END BALL VALVE	
									<b>AFlow</b> Anson Flow Corp.					