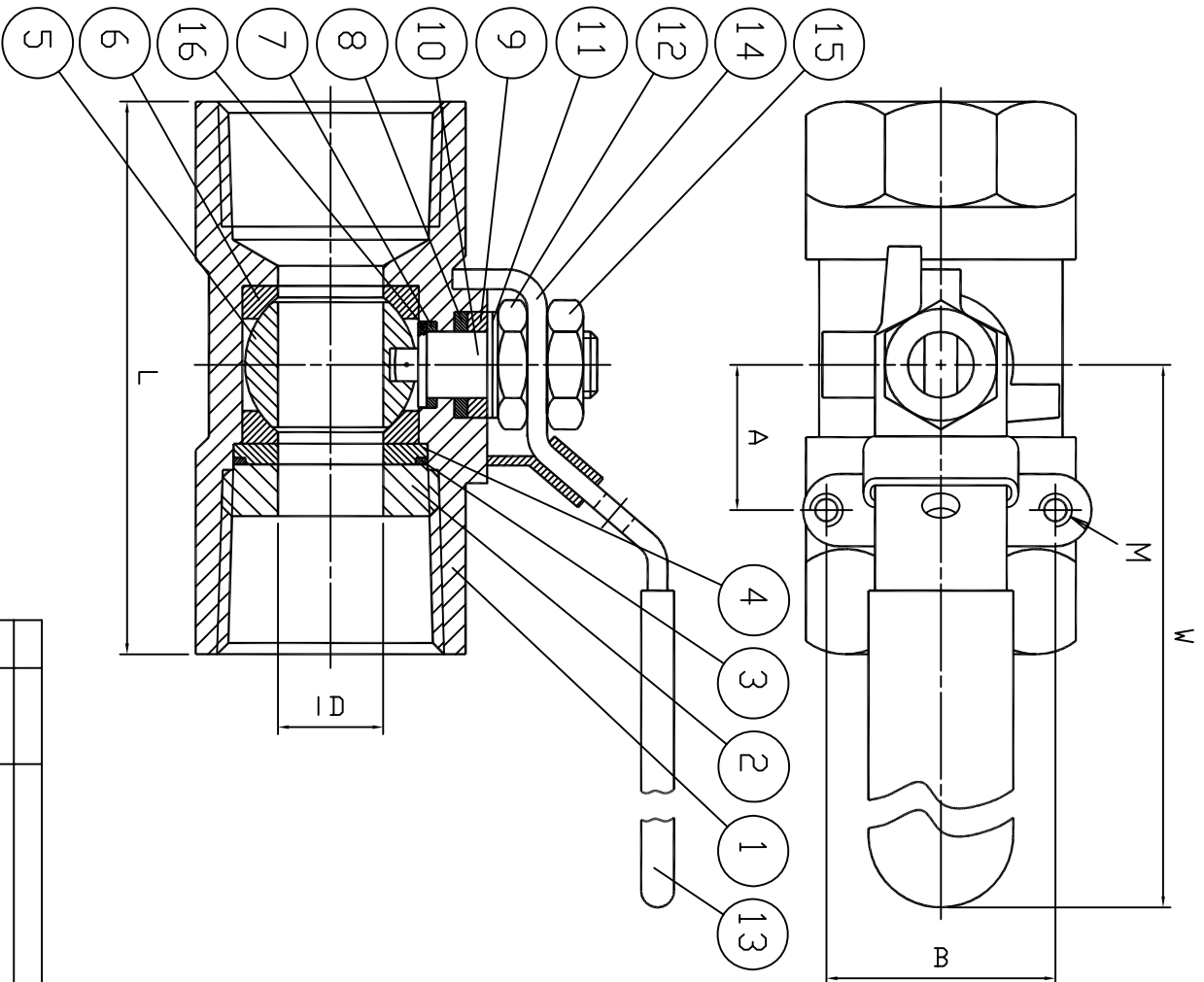
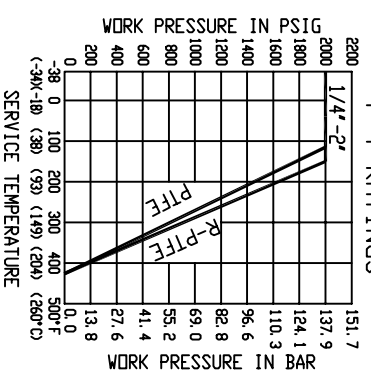


AF-12

Fire Safe API 607

P-T RATINGS

ONE PIECE REDUCED PART BALL VALVE, SCREWED ENDS
 ACTUATOR MOUNTING PAD
 SIZE : 1/4"-2"
 PRESSURE : 2000 PSIG (W. D. G)
 STAINLESS STEEL : 316 BODY, WITH 316 SS TRIM
 CARBON STEEL : WCB BODY, WITH 316 SS TRIM
 ANTISTATIC



ITEM	DESCRIPTION	STAINLESS STEEL	CARBON STEEL	Q'TY
1	BODY	ASTM A351 CF8M	ASTM A216 WCB	1
2	INSERT	ASTM A351 CF8M/316	ASTM A216 WCB/A108	1
3	GASKET	GRAPHITE		1
4	SEAT RETAINER	ASTM A351 CF8M/316	ASTM A216 WCB/A108	1
5	BALL	ASTM A351 CF8M/316		1
6	SEAT	TFM1600/PTFE		2
7	THRUST WASHER	GRAPHITE		1
8	STEM PACKING	GRAPHITE		1
9	GLAND	AISI 304		1
10	STEM	ASTM A276-316	ASTM A276 316	1
11	BELLEVILLE WASHER	AISI 301		2
12	PACKING NUT	AISI 304		1
13	HANDLE COVER	RUBBER		1
14	HANDLE	AISI 304	ZINC PLATED STEEL	1
15	HANDLE NUT	AISI 304		1
16	ANTISTATIC	AISI 304		2

SIZE	DN	IN	MM	IN	MM	IN	MM	H	MM	IN	MM	W	MM	IN	MM	A	MM	B	MM	M	Weights
																					KG
1/4"	8	0.36	9.2	2.64	67.0	1.81	46.0			4.33	110.0	0.50	12.7	1.12	28.5						0.3
3/8"	10																				0.3
1/2"	15																				0.3
3/4"	20	0.49	12.5	2.80	71.0	1.97	50.0														0.4
1"	25	0.63	16.0	3.31	84.0	2.36	60.0			5.51	140.0	0.87	22.1	1.37	34.8						0.7
1 1/4"	32	0.79	20.0	3.70	94.0	2.56	65.0														1.1
1 1/2"	40	0.96	24.5	3.94	100.0	2.83	72.0			6.30	160.0	0.93	23.6	1.50	38.1						1.3
2"	50	1.26	32.0	4.65	118.0	3.07	78.0														2.0

REV	DATE	DESCRIPTION	CODE	REVISER	REMARKS	MATERIAL	APPROVE	CHECK	DRWN BY	REV
						1/4"-2"			Peggy	F
						2000 PSI			2005.07.26	
						FIRE-SAFE				
						API 607				
						OTHER				
						DWG NO				
						AF-12				
						TITLE				
						1-PC THREAD END BALL VALVE				